

PRODUCT
GUIDE

ONE ONE
SIXTY FORTY



ONE-SIXTY III
ONE-FORTY II
2022-10-28 V5

INTRODUCTION

We have put a lot of effort into the development of the new ONE-SIXTY/FORTY frame platform to give you the best riding experience possible. To help you get the most out of your bike, we have created this setup and service guide. It contains all the important settings and features in an easy-to-understand format.



PAGE

CONTENT

1	SUSPENSION SETUP: FORK
2	SUSPENSION SETUP: SHOCK
4	SUSPENSION SETUP NOTES
5	WHEEL SIZE ADJUSTMENT
6	DROPPER SEATPOST ADJUSTMENT
7	COCKPIT HEIGHT / SERVICE PORT
8	STORAGE SOLUTIONS / ACCESSORIES
12	SPARE PARTS
13	GEOMETRIES
14	FRAME / SHOCK INTERFACES
15	EXPLODED DRAWINGS / PARTS OVERVIEW



SETTING UP THE SUSPENSION

Correctly adjusting the suspension to your weight is crucial to getting maximum performance from your bike. A very important part of this is setting up the sag - this is the amount the suspension compresses under your weight. While there are several ways to measure sag, our team prefers to measure the sag in the seated riding position. This process is simple and easier to replicate.



SUSPENSION FORK

All suspension fork manufacturers provide detailed guides which help you to find the best setup. Since they know their products best, we recommend using their fork setup guides instead of creating our own recommendations for the fork.


ROCKSHOX



<https://trailhead.rockshox.com/en/> 

FOX SUSPENSION



<https://www.ride-fox.com/subhome.php?m=bike#tuning> 

SR SUNTOUR



<https://www.srsuntour.com/en/service/> 



REAR SHOCK

No matter how good the kinematics are, the suspension will never perform at 100% without the right settings. Therefore, we offer a recommendation for the ideal shock setting. The advantage of our described sag measuring technique is that it's easy to repeat accurately and consistently.

30% SAG VALUES

We recommend 30% sag (negative travel) with the following measurement method, but it is only a reference value. Depending on your riding style and your preferences, the sag can differ, but 30% is the ideal starting point.

Too much sag can make the bike feel sluggish and unresponsive. Too little sag will make the bike feel harsh, and massively reduce the rear wheel grip and control.

Model	Shock stroke	Sag (30% of shock stroke)
ONE-SIXTY	65 mm	19.5 mm
ONE-FORTY	57.5 mm	17.3 mm

RECOMMENDED METHOD OF SAG MEASUREMENT WITH AIR SHOCKS

The following is our way of measuring the correct sag, and all recommendations are based on this approach. To keep the results consistent, it is very important to always follow the same method.

1. Adjust your preferred seat height
2. Turn the compression adjustments (if available on your shock) to the fully opened position.
3. Sit on the saddle with fully extended seatpost travel. Carry all your clothing and ride essentials you'd normally take on a ride. See the picture on the previous page.
4. If necessary, hold the front brake but not the rear brake
5. Stand up and bounce a little bit on your bike, then sit down again
6. Push the O-rings on the shock all the way towards the dust seal
7. Step down from the bike carefully. Avoid moving the position of the O-ring!

8. Measure the distance from the dust seal to the O-ring.



9. If necessary, adjust your air pressure to achieve the preferred sag.

TOP TIP:

After each change of shock pressure, you need to equalise the pressure between the positive and negative air chamber. Slowly compress the shock by pushing the saddle down. You can hear the equalisation by the noise of air whistling. Mostly it's found at the sag point.

RECOMMENDED AIR PRESSURES FOR ROCKSHOX SUPER DELUXE SHOCKS

The ONE-SIXTY and ONE-FORTY models are equipped mainly with shocks from the RockShox Super Deluxe series. Therefore we recommend the following air pressure figures as a first starting point.

ONE-SIXTY	ONE-FORTY	
Air pressure rear shock RockShox Super Deluxe		Rider weight (including all essentials)
120 psi	145 psi	50 kg
140 psi	165 psi	60 kg
160 psi	185 psi	70 kg
180 psi	205 psi	80 kg
200 psi	225 psi	90 kg
225 psi	250 psi	100 kg
250 psi	275 psi	110 kg

RECOMMENDED COIL SPRING RATES FOR COIL SHOCKS

If you want to use the ONE-SIXTY with a coil shock, we recommend the following spring rates.

ONE-SIXTY Coil spring rate	Rider weight (including all essentials)
300 lbs	55 - 65 kg
350 lbs	65 -75 kg
400 lbs	75 - 85 kg
450 lbs	85 - 95 kg
500 lbs	95 -105 kg

REBOUND DAMPING

Most ONE-SIXTY/FORTY models are equipped with shocks from the RockShox Super Deluxe series. The rebound damping is directly related to the air spring pressure and needs to be adjusted after setting the air pressure. Therefore we recommend the following settings as a starting point.

Air pressure	Rebound (clicks from fully closed)
120 psi	12 (fully open)
140 psi	11
160 psi	9
180 psi	8
200 psi	6
220 psi	5
240 psi	3
260 psi	1
280 psi	0

NOTES FOR YOUR SUSPENSION SETTINGS

Experimenting with the suspension can be fun! But modify only one variable at a time and note the settings down accurately. Always count the compression and rebound clicks from the fully closed position.

Please note: Not all suspension units have High-Speed and Low-Speed adjusters.

Setup Nr	Pressure Fork	Compression Fork		Rebound Fork		Pressure Shock	Compression Shock		Rebound Shock		Feeling X / 10
		High Speed	Low Speed	High Speed	Low Speed		High Speed	Low Speed	High Speed	Low Speed	
1	psi	clicks	clicks	clicks	clicks	psi	clicks	clicks	clicks	clicks	/ 10
2	psi	clicks	clicks	clicks	clicks	psi	clicks	clicks	clicks	clicks	/ 10
3	psi	clicks	clicks	clicks	clicks	psi	clicks	clicks	clicks	clicks	/ 10
4	psi	clicks	clicks	clicks	clicks	psi	clicks	clicks	clicks	clicks	/ 10
5	psi	clicks	clicks	clicks	clicks	psi	clicks	clicks	clicks	clicks	/ 10
6	psi	clicks	clicks	clicks	clicks	psi	clicks	clicks	clicks	clicks	/ 10
7	psi	clicks	clicks	clicks	clicks	psi	clicks	clicks	clicks	clicks	/ 10
8	psi	clicks	clicks	clicks	clicks	psi	clicks	clicks	clicks	clicks	/ 10
9	psi	clicks	clicks	clicks	clicks	psi	clicks	clicks	clicks	clicks	/10
10	psi	clicks	clicks	clicks	clicks	psi	clicks	clicks	clicks	clicks	/10



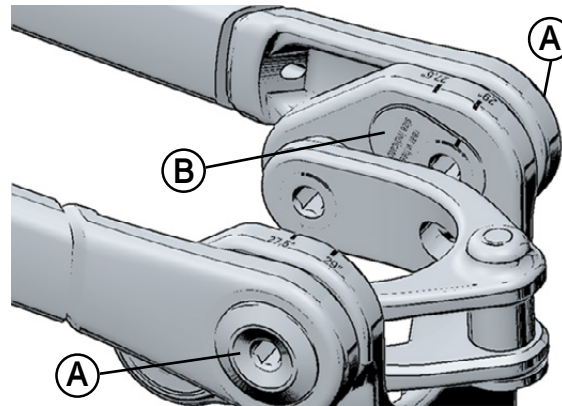
WHEEL SIZE ADJUSTMENT

We know that both rear wheel sizes (27.5" for mullet and 29") have pros and cons. Therefore, we have designed a system that works with both rear wheel sizes via a simple adjustment that leaves the important geometry data such as reach, stack and angles untouched.

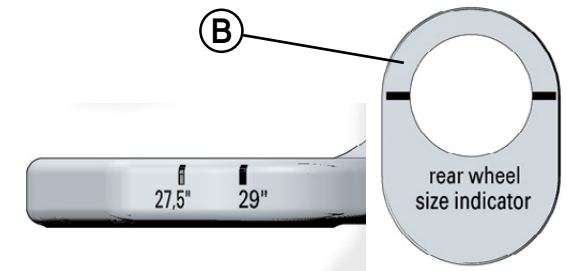
29" wheels are faster, have better rollover behaviour and are ideal for taller people. But thanks to the 27.5" rear wheel and corresponding 4 mm shorter chainstay length, the mullet set-up with the 27.5" rear wheel is more playful and forgiving. The greater bum clearance will especially suit small riders on steep terrain.

CHANGE THE REAR WHEEL SIZE

1. Remove the rear wheel with the axle lever
2. Remove the shock using 6 mm and 4 mm hex keys
3. Loosen the outer bolts of the seatstay (A) four turns. Tap these bolt heads lightly with a hammer to ensure the flipchip (B) loosens from its conical seat. Now unscrew the bolts completely.



4. Slightly compress the rear triangle to get access to the flipchip. Remove and twist both flip chips inside the rocker. The line on the flipchip must be aligned with the line of the desired wheel size on the rocker.



5. Assemble the screws (A) again. Make sure to refit the washers in between the flipchip and the seatstay bearing. Tighten the screws (A) with their imprinted torque by using a torque wrench.
6. Mount the shock again with its imprinted torque by using a torque wrench.

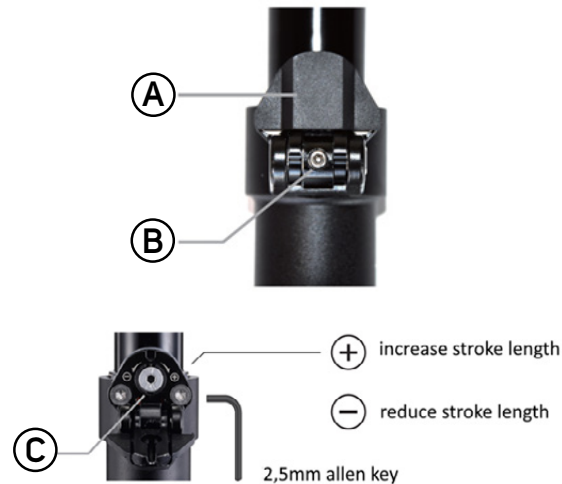
Please note that your tyre pressure has also a massive impact on your riding. Go and check the SRAM tyre pressure guide:



<https://axs.sram.com/guides/tire/pressure>

MERIDA TEAM TR DROPPER SEATPOST ADJUSTMENT

MAXIMUM TRAVEL LIMITATION



1. Press the remote lever to open the valve and lower the seatpost with the rider's weight to the desired maximum extension position.



2. Loosen screw (B) with a 2.5 mm hex key and open the flap (A) downwards.



3. Using a hex key (2.5 mm), turn the screw (C) anticlockwise (-) until the orange rope stops moving, as observed through the viewing window.
4. Close flap (A) and tighten screw (B) with a 2.5 mm hex key.



USAGE OF COMPLETE TRAVEL

1. Loosen screw (B) with a 2.5 mm hex key and open the flap (A) downwards.
2. Apply pressure to the saddle with your hand and press the remote to allow the saddle to extend slowly to full travel.
3. Close flap (A) and tighten screw (B) with a 2.5 mm hex key.

Watch our video how-to guide below:



<https://www.youtube.com/watch?v=UhmexL63b64>

EIGHTPINS SEATPOST

On the carbon frames, it is possible to mount an Eightpins seatpost.



Eightpins Online Shop:
<https://www.eightpins.com/en/eightpins-seatposts-for-merida-bikes/>

COCKPIT HEIGHT

You may have noticed that this bike has a relatively short head tube across all sizes. This is part of our overall concept because for smaller riders, it's often very complicated to lower their cockpit height, but it's easy to raise it up.

With 5 & 10 mm stem spacers and different rise bars it is possible to increase the cockpit height to your preferred height.

Sometimes regular maintenance is not enough, and you need a new bearing kit or a completely new headset. Just search for your model in the ACROS headset finder:



<https://acros-components.com/en/replacement-headsets>



MERIDA COCKPIT PARTS

MERIDA EXPERT eTRII stem

40 mm	EAN: 4057094026863
50 mm	EAN: 4057094026870

MERIDA EXPERT TR handle bar

20 mm rise, 780 mm wide aluminium	EAN: 4057094015126
-----------------------------------	--------------------

MERIDA TEAM TR handle bar

20 mm rise, 800 mm wide carbon	EAN: 4057094032901
35 mm rise, 800 mm wide carbon	EAN: 4057094032918

MERIDA WIRE PORT stem spacers

5 mm height	EAN: 4057094033144
10 mm height	EAN: 4057094033137

SERVICE PORT

To ensure hassle free cable routing, we have built a service port into the frame.



You have easy access to the cable-carrying liners in the downtube as well as to the cable of the dropper seatpost. For easy cable routing, start pushing the cable housing from the back of the rear triangle to the service port and then through the cable-carrying liner up to the headtube.



USING STORAGE SOLUTIONS AND ACCESSORIES

MERIDA ESSENTIAL TOOL WRAP



Our service port also allows you to store some emergency parts in the down tube and we created the ESSENTIAL TOOL WRAP to help keep these organised.

You can put some small parts, like a small pump, a spare UDH hanger, a tubeless tyre puncture repair kit, a spare chain quick link, some inner tube patches, and a CO2 cartridge into the bag. It's up to you, as long as the package isn't too bulky. You could even think about a spare inner tube when folded flat.

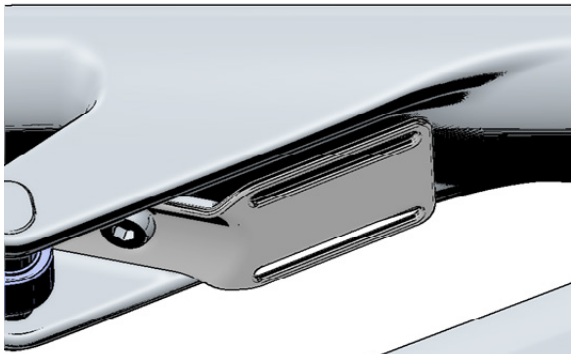


ONE-SIXTY / ONE-FORTY ESSENTIAL TOOL WRAP

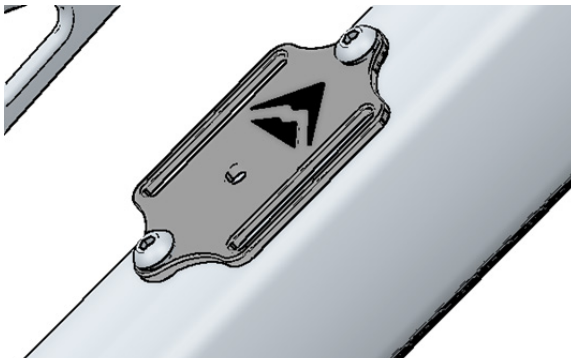
EAN: 4057094033168

TUBE BASE PLATE / TRAIL MOUNT

Depending on your frame, you have several possibilities to mount a tube or some other accessories. On the carbon ONE-SIXTY and ONE-FORTY frame the TUBE BASE PLATE is located at the front shock mount.



carbon frame



aluminium frame

On the aluminium frames the TUBE BASE PLATE is located on the top of the down tube.

But you can also attach the MERIDA TRAIL MOUNT, which can carry a spare UDH hanger, two 16g CO2 cartridges or a pump and also a tube.



For all tube mounts, we recommend wrapping the strap as shown below:



MERIDA TUBE BASE PLATE / TRAIL MOUNT PARTS

MERIDA TUBE BASE PLATE standard w. strap

For carbon frame	Item No. A2161000217
For aluminium frame	Item No. A2161000227

MERIDA TRAIL MOUNT w. strap

40 mm & 64 mm bottle cage	EAN: 4057094030136
------------------------------	--------------------

MERIDA TRAIL MOUNT compatible pump

EAN: 4057094030112

REMOVABLE AXLE LEVER

Our MERIDA TR rear axle lever can be used to tighten the rear axle, but when removed, it also works as a 6 mm and 4 mm hex key which can be used to tighten many other bolts on the bike.

To use the removable axle lever, pull the lever out of the non-drivetrain side of the bike. Then, to restore it, simply push it back into the centre of the through axle.



MERIDA removable axle lever

With 6 mm / 4 mm
hex key

EAN: 4057094024029

V-MOUNT WITH INCLUDED MULTI TOOL

All ONE-SIXTY and ONE-FORTY models include a tool box and multitool below the saddle. The V-MOUNT enables mounting the tool box and mini tool.

The multitool includes the following tools:

- o Hex key: 2/2.5/3/4/5/6/8 mm
- o Screw driver: +/-
- o Torx: T10/T25/T30

To use the multitool, open the flap on the tool box and pull it out. To store it, just push it back into the tool box and close the flap. To remove the whole box from the saddle, remove the tool from the box and disassemble the flap from the box by pulling it out. Unscrew the box from the V-MOUNT by using a 3 mm hex key.



MERIDA Mini Tool

12-in-1

EAN: 4057094020809



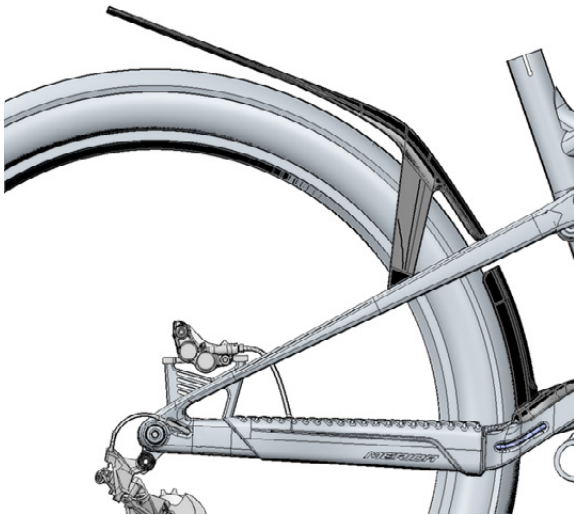
Mini Tool V-Mount Box

For installation below
the saddle

EAN: 4057094020793

INSTALLING THE DIFFERENT FENDERS

The ONE-SIXTY/ONE-FORTY is equipped with two fender options. The short mudguard protects the shock, seat tube and bearings from dirt and stone chips. We recommend that you always leave the short fender mounted. Additionally, it has the function of holding the chainstay protector in place.



If you are riding muddier trails, there is the option of an additional long fender. This complements the short fender and offers significantly more protection against mud and water.



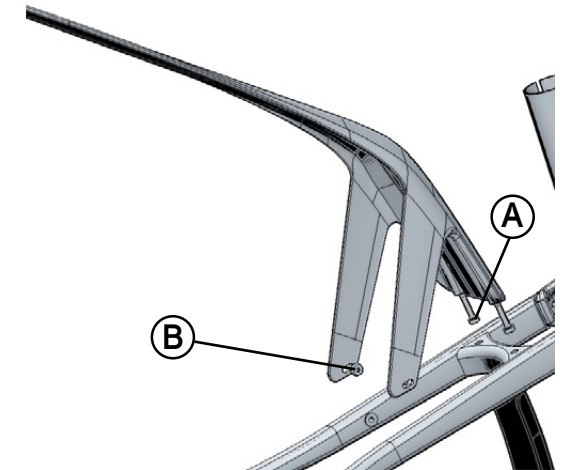
Long Fender

For ONE-SIXTY /
ONE-FORTY

EAN: TBA

MOUNTING THE LONG FENDER

1. Remove the rear wheel
2. Attach the long fender to the seat stays.
3. Put the long screws (A) through the seat stay bridge of the frame, and tighten them to 4 Nm.



4. Screw the short bolts (B) into the inside of the seat stays and tighten them to max. 2 Nm. We recommend the use of some medium strength thread-locking fluid.
5. Reinstall the rear wheel and double-check that there is enough clearance for contact-free rotation.

SPARE PARTS

SRAM UNIVERSAL DERAILLEUR HANGER (UDH)



The SRAM universal derailleur hanger is used across many bike brands. In the event of a failure, this means that a replacement hanger should be easily available in shops worldwide.

SRAM UDH

SRAM part number: 00.7918.089.000
EAN: 710845840135

SWIVEL MAGNETIC BOTTLE

The carbon frames have a recess for the integrated FIDLOCK mount to give it a flush finish. They also come as stock with the integrated magnetic base. Aluminium models can use the standard base.

If you don't want to use the integrated base, it's possible to mount a standard bottle cage. Some cages will not fit properly into the recess. To fill that space, and allow all cages to be fitted, we have designed a specific cover plate.



A bottle comes with the twist bottle connector, but can be purchased without the connector as well.

MERIDA SWIVEL bottle, matt black

0.6 l, with connector and standard base EAN: 4057094033205

MERIDA SWIVEL bottle, transparent

0.6 l, with connector and standard base EAN: 4057094033212

MERIDA SWIVEL bottle, matt black

0.6 l, with connector EAN: 4057094033229

MERIDA SWIVEL bottle, transparent

0.6 l, with connector EAN: 4057094033236

MERIDA SWIVEL bottle, matt black

0.6 l EAN: 4057094033243

MERIDA SWIVEL bottle, matt black

0.6 l EAN: 4057094033250

MERIDA cover plate for SWIVEL 'base up'

Fidlock part number: F9617-000102(BLK)
EAN: TBA

GEOMETRIES

ONE-SIXTY CF4 III

FS frame Size	XShort	Short	Mid	Long	XLong
TS tyre Size	29"/27.5" 29"/27.5" 29"/27.5" 29"/29" 29"/29"				
ST seat tube [mm]	400	410	425	445	470
TT top tube [mm]	535	562	589	621	653
CS chain stay length [mm]	434	434	434	438	438
HTA head tube angle [°]	64	64	64	64	64
STA seat tube angle [°]	79	79	79	79	79
BD bottom bracket drop [mm]	7	7	7	27.5	27.5
HT head tube [mm]	95	95	95	105	120
FL fork length [mm]	581	581	581	581	581
R reach [mm]	415	442	470	498	525
S stack [mm]	615	615	615	625	638
WB wheel base [mm]	1188	1215	1242	1275	1308
SH stand over height [mm]	727	730	737	736	776

ONE-FORTY CF4 III

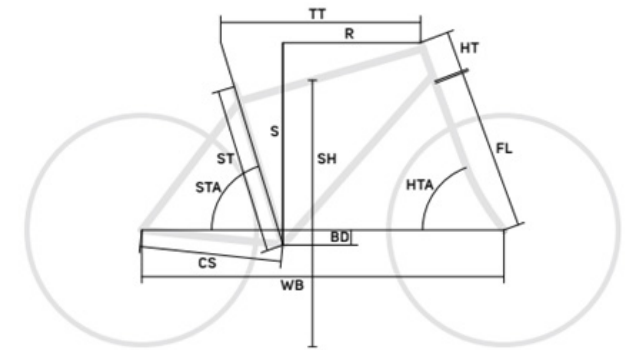
FS frame Size	XShort	Short	Mid	Long	XLong
TS tyre Size	29"/29" 29"/29" 29"/29" 29"/29" 29"/29"				
ST seat tube [mm]	400	410	425	445	470
TT top tube [mm]	532	559	586	618	649
CS chain stay length [mm]	437.5	437.5	437.5	437.5	437.5
HTA head tube angle [°]	65	65	65	65	65
STA seat tube angle [°]	80	80	80	80	80
BD bottom bracket drop [mm]	35	35	35	35	35
HT head tube [mm]	95	95	95	105	120
FL fork length [mm]	557	557	557	557	557
R reach [mm]	426	453	480	509	535
S stack [mm]	607	607	607	616	629
WB wheel base [mm]	1177	1204	1232	1265	1298
SH stand over height [mm]	722	725	732	731	771

ONE-SIXTY LITE III

FS frame Size	XShort	Short	Mid	Long	XLong
TS tyre Size	29"/27.5" 29"/27.5" 29"/27.5" 29"/29" 29"/29"				
ST seat tube [mm]	400	410	425	445	470
TT top tube [mm]	535	562	589	621	653
CS chain stay length [mm]	434	434	434	438	438
HTA head tube angle [°]	64	64	64	64	64
STA seat tube angle [°]	79	79	79	79	79
BD bottom bracket drop [mm]	7	7	7	27.5	27.5
HT head tube [mm]	95	95	95	105	120
FL fork length [mm]	581	581	581	581	581
R reach [mm]	415	442	470	498	525
S stack [mm]	615	615	615	625	638
WB wheel base [mm]	1188	1215	1242	1275	1308
SH stand over height [mm]	735	740	743	740	735

ONE-FORTY LITE III

FS frame Size	XShort	Short	Mid	Long	XLong
TS tyre Size	29"/29" 29"/29" 29"/29" 29"/29" 29"/29"				
ST seat tube [mm]	400	410	425	445	470
TT top tube [mm]	532	559	586	618	649
CS chain stay length [mm]	437.5	437.5	437.5	437.5	437.5
HTA head tube angle [°]	65	65	65	65	65
STA seat tube angle [°]	80	80	80	80	80
BD bottom bracket drop [mm]	35	35	35	35	35
HT head tube [mm]	95	95	95	105	120
FL fork length [mm]	557	557	557	557	557
R reach [mm]	426	453	480	509	535
S stack [mm]	607	607	607	616	629
WB wheel base [mm]	1177	1204	1232	1265	1298
SH stand over height [mm]	730	735	738	735	730



FRAME INTERFACES

ONE-FORTY / ONE-SIXTY	CF4 III	LITE III
MAX. WHEELSIZE	29x2.5"	29x2.5"
MAX. CHAINRING	1x34T	1x34T
CHAINLINE	55mm	55mm
HEAD TUBE		
11/2" & 11/2"	•	•
HEADSET		
WIRE PORT IS	•	•
BRAKE STANDARD		
DISC BRAKE ABOVE SEAT STAY (W CUSTOM ADAPTER)	•	•
POST MOUNT 200MM REAR BRAKE	•	•
MAX. REAR BRAKE ROTOR SIZE	220mm	220mm
BB-STANDARD		
BSA 73MM (W 2.5MM ISCG05-PLATE)	•	•
SEATPOST DIAMETER		
34.9 MM	•	•
REAR DROPOUT-STANDARD		
THRU AXLE 12X148MM	•	•
CABLE ROUTING		
INTERNAL SHIFTING CABLES	•	•
INTERNAL BRAKE CABLE	•	•
INTERNAL SEAT POST CABLE	•	•
ISCG 05	•	•
FD-STANDARD	1x specific	1x specific
FRAME WEIGHT	2460g in size M +/- 3%	3660g in size M +/- 3%
RD HANGER	SRAM UDH	SRAM UDH

* Frame weight only! Without axle, frame protectors, saddle clamp, hanger, steerer cups and cable guides (weight is also depending on the frame color)

SHOCK INTERFACES

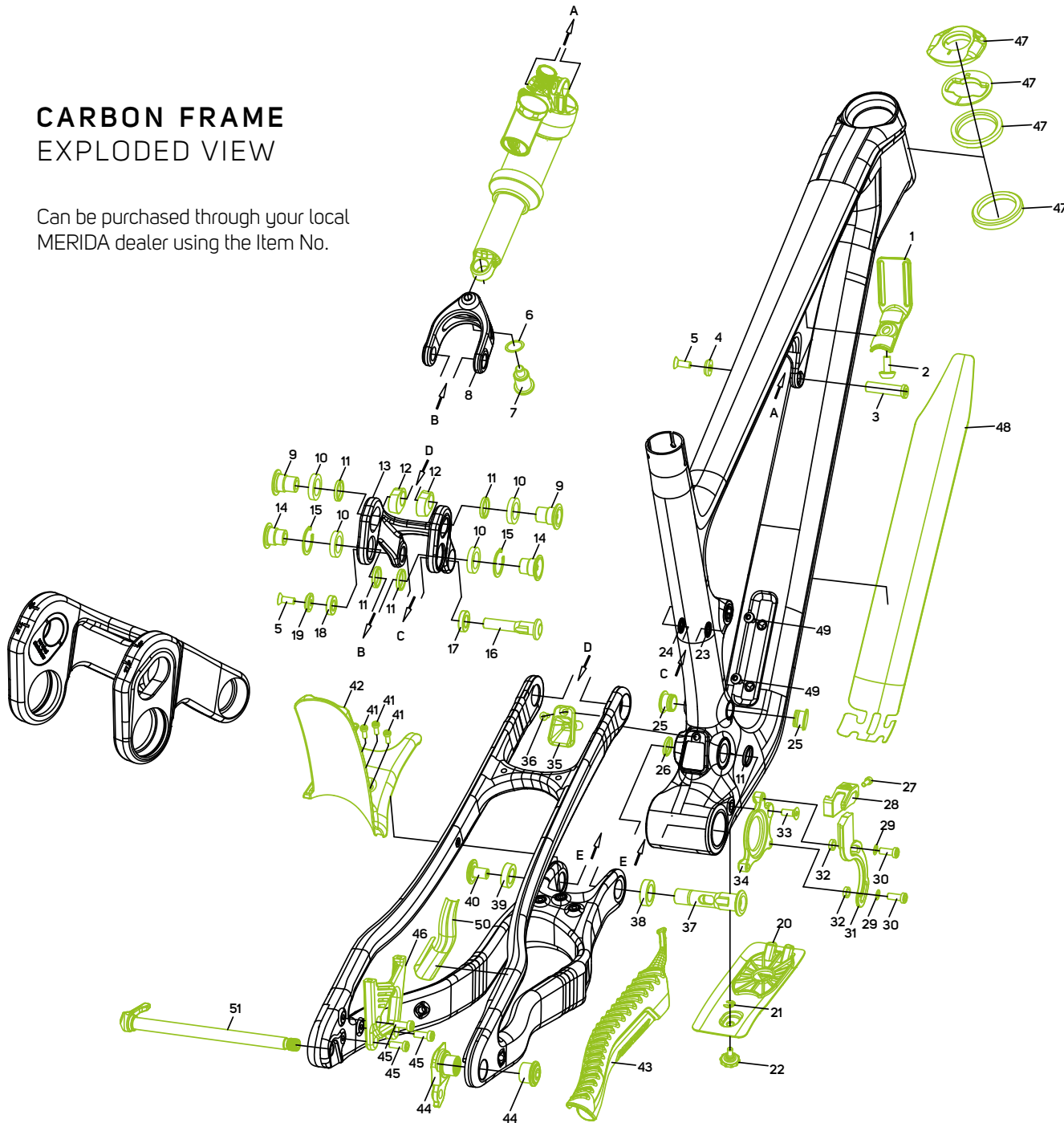
ONE-SIXTY	CF4 III	LITE III
SHOCK		
LENGTHxSTROKE (MM)	230x65	230x65
REAR TRIANGLE EYELET		
PIN WIDTH (MM)	W/O ANY BUSHING	W/O ANY BUSHING
FRONT TRIANGLE EYELET		
PIN WIDTH (MM)	30	30
PIN ID (MM)	10	10
COILSHOCK READY	--	--
RECOMMENDED SAG	30%	30%

ONE-FORTY	CF4 III	LITE III
SHOCK		
LENGTHxSTROKE (MM)	230x57.5	230x57.5
REAR TRIANGLE EYELET		
PIN WIDTH (MM)	W/O ANY BUSHING	W/O ANY BUSHING
FRONT TRIANGLE EYELET		
PIN WIDTH (MM)	30	30
PIN ID (MM)	10	10
COILSHOCK READY	--	--
RECOMMENDED SAG	30%	30%



CARBON FRAME EXPLODED VIEW

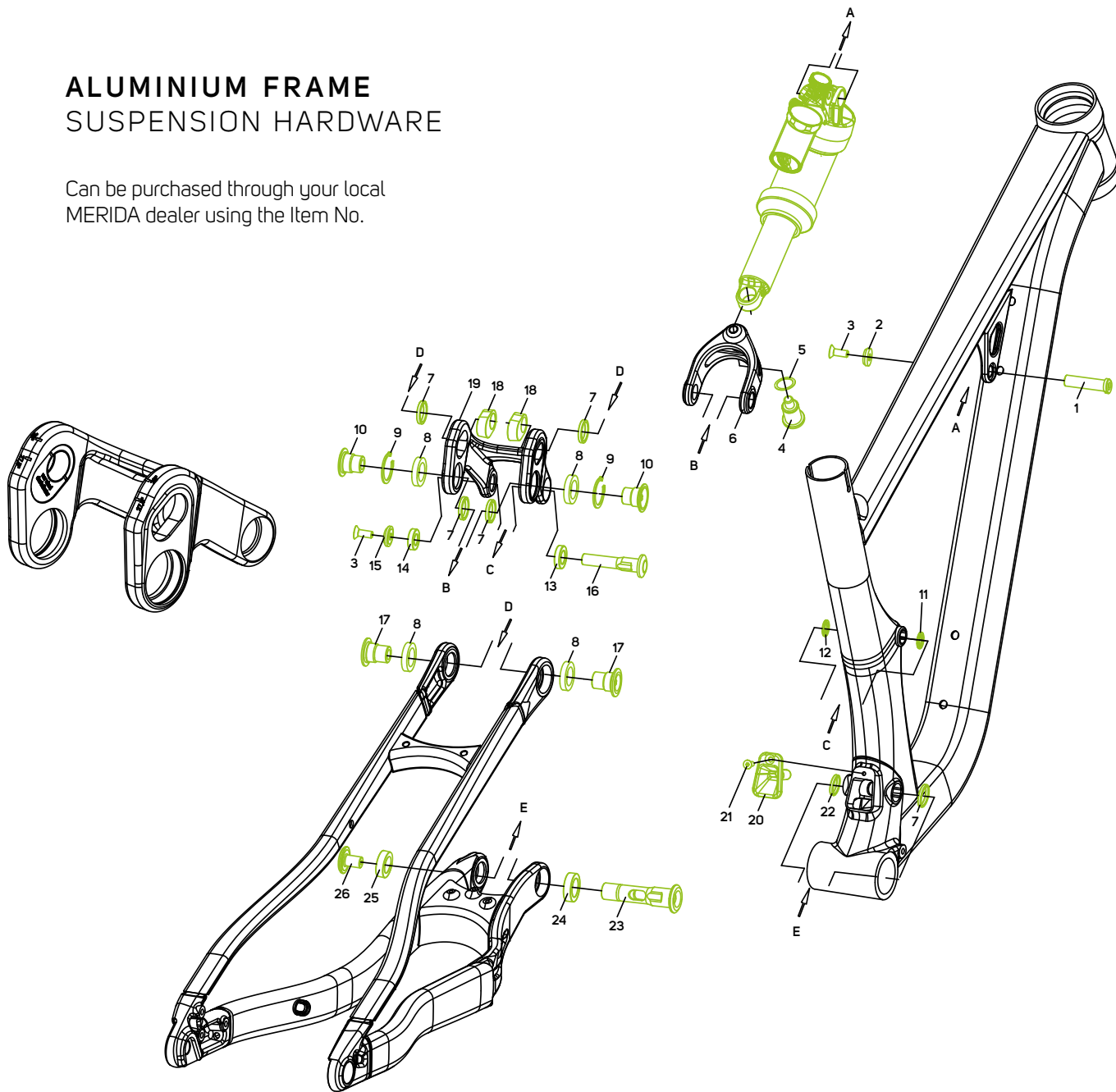
Can be purchased through your local
MERIDA dealer using the Item No.



No.	Item No.	Item	Detail information	Pieces	Torque Nm
1	A2161000217	MOUNT	for tube/accessories	1	
2	A2300000612	SCREW	M8x1.25 L6mm	1	8-10
3	A2300000471	BOLT	M6x1 OD10mm L39mm	1	10-12
4	A2294000196	WASHER	for M6 sunkenhead screw OD16mm	1	
5	A2298000113	SCREW	M6x1 L16mm	2	6-8
6	A2292000102	WASHER	OD19mm ID15mm H0.3mm	1	
7	A2300000608	SCREW	M8x1	1	10-12
8	A2036000025	MOUNT	for shock without bushing	1	
9	A2300000611	SCREW	M15x1 L18.5mm	2	13-15
10	A2221000033	BEARING	6803V-2RS OD26mm ID17mm W5mm	4	
11	A2294000102	WASHER	OD21mm ID17.1mm H3mm	5	
12	A2302000082	NUT	M15x1 flip chip	2	
13	A2031000076	LINK		1	
14	A2300000610	SCREW	M15x1 L16mm	2	13-15
15	A2294000182	LOCK RING	for bearing	2	
16	A2300000475	BOLT	M6x1 OD10/12mm L55mm	1	8-10
17	A2221000032	BEARING	6801V-2RS OD21mm ID12mm W5mm	1	
18	A2221000034	BEARING	6800V-2RS OD19mm ID10mm W5mm	1	
19	A2294000197	WASHER	for M6 sunkenhead screw OD18.5mm	1	
20	A2161000161	COVER	for service opening	1	
21	A2294000183	LOCK RING	for protector screw	1	
22	A2300000559	SCREW	M5x0.8 L11mm	1	3-5
23	A2294000105	WASHER	OD17mm ID12.1mm H2mm	1	
24	A2294000085	WASHER	OD15.5mm ID10.1mm H2mm	1	
25	A2143000147	BLIND PLUG		2	
26	A2294000016	WASHER	OD19mm ID15.1mm H3mm	1	
27	A2300000484	SCREW	M4x0.7 L10mm	1	1,5-2
28	A2232000028	CHAIN GUIDE	for 28T-36T	1	
29	A2292000106	WASHER	OD10mm ID6.2mm H0.5mm	2	
30	A2298000224	SCREW	M6x1 L16mm	2	6-8
31	A2232000042	MOUNT	Mount for chain guide	1	
32	A2292000008	WASHER	OD10mm ID6.2mm H3mm	2	
33	A2298000107	SCREW	M6x1 L12mm	1	6-8
34	A2164000062	MOUNT	ISCG-05	1	
35	A2161000162	CABLE GUIDE		1	
36	A2300000151	SCREW	M4x0.7 L12mm	1	3-5
37	A2300000598	BOLT	M6x1 OD15/17mm L55mm	1	8-10
38	A2221000040	BEARING	172607V-2RS OD26mm ID17mm W7mm	1	
39	A2221000043	BEARING	3802V-2RS OD24mm ID15mm W7mm	1	
40	A2300000609	SCREW	M10x1 L15mm	1	8-10
41	A2300000318	SCREW	M4x0.7 L12mm	3	3-5
42	A2116000239	PROTECTOR		1	
43	A2158000078	PROTECTOR	for chain stay	1	
44	A2311000102	RD-HANGER	UDH	1	
45	A2298000223	SCREW	M6x1 L12mm	3	6-8
46	A2136000076	MOUNT	PM200	1	
47	A2191000188	HEAD SET	MERIDA/VP-8151 (MH-P16/MH-P16)	1	
48	A2358000131	PROTECTOR	for down tube	1	
49	A2298000024	SCREW	M5x0.8 L10mm	2	4-6
50	A2362000105	PROTECTOR	for seat stay	1	
51	A2002000135	THRU AXLE	EXPERT TR; L=178.5mm M12x1 TL=13.5mm	1	

ALUMINIUM FRAME SUSPENSION HARDWARE

Can be purchased through your local
MERIDA dealer using the Item No.

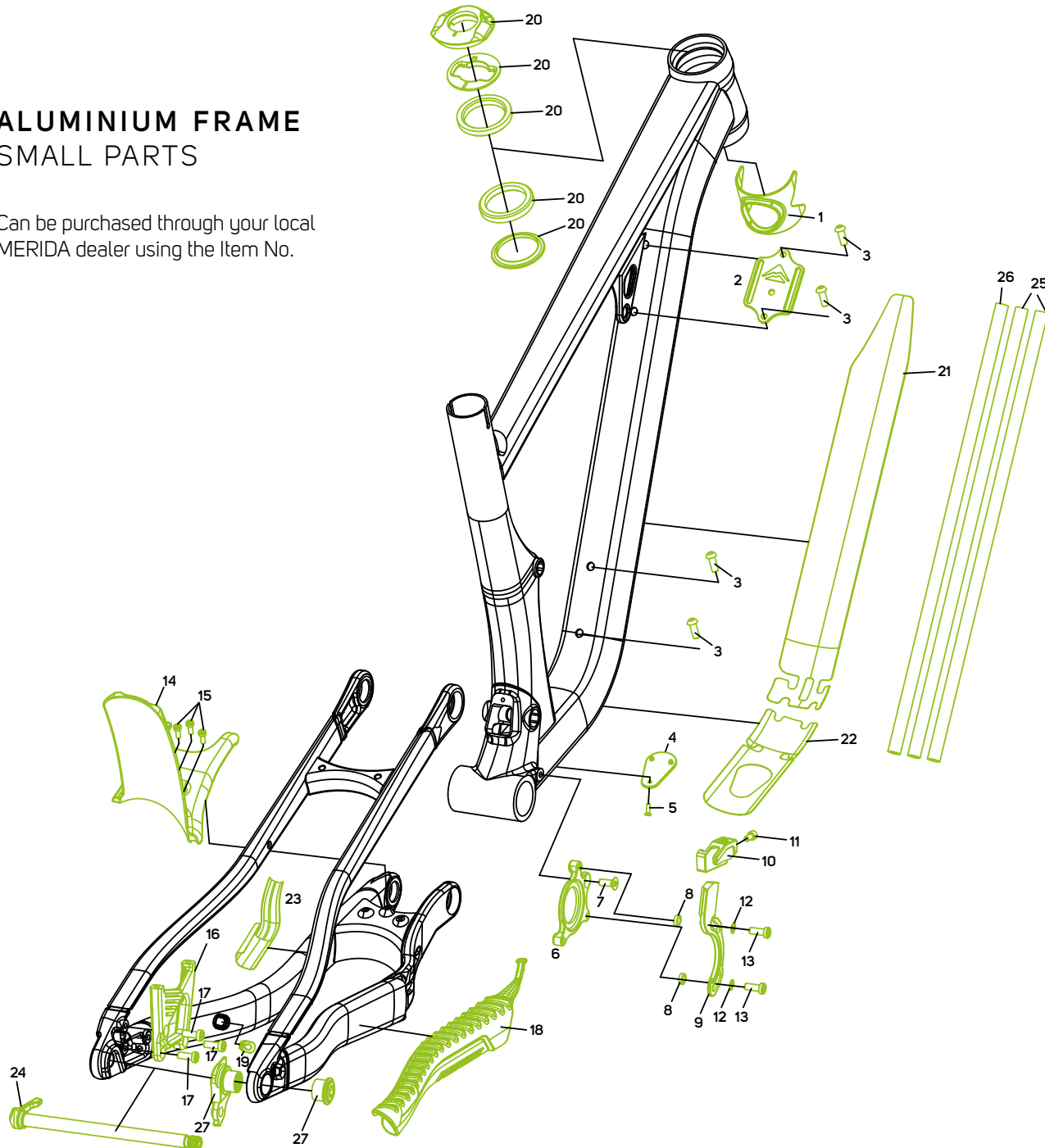


No.	Item No.	Item	Detail information	Pieces	Torque Nm
1	A2300000471	BOLT	M6x1 OD10mm L39mm	1	10-12
2	A2294000196	WASHER	for M6 sunkenhead screw OD16mm	1	
3	A2298000113	SCREW	M6x1 L16mm	2	6-8
4	A2300000608	SCREW	M8x1	1	10-12
5	A2292000102	WASHER	OD19mm ID15mm H0.3mm	1	
6	A2036000025	MOUNT	for shock without bushing	1	
7	A2294000102	WASHER	OD21mm ID17.1mm H3mm	5	
8	A2221000033	BEARING	6803V-2RS OD26mm ID17mm W5mm	4	
9	A2294000182	LOCK RING	for bearing	2	
10	A2300000610	SCREW	M15x1 L16mm	2	13-15
11	A2294000105	WASHER	OD17mm ID12.1mm H2mm	1	
12	A2294000085	WASHER	OD15.5mm ID10.1mm H2mm	1	
13	A2221000032	BEARING	6801V-2RS OD21mm ID12mm W5mm	1	
14	A2221000034	BEARING	6800V-2RS OD19mm ID10mm W5mm	1	
15	A2294000197	WASHER	for M6 sunkenhead screw OD18.5mm	1	
16	A2300000475	BOLT	M6x1 OD10/12mm L55mm	1	8-10
17	A2300000611	SCREW	M15x1 L18.5mm	2	13-15
18	A2302000082	NUT	M15x1 flipchip	2	
19	A2031000076	LINK		1	
20	A2161000162	CABLE GUIDE		1	
21	A2300000151	SCREW	M4x0.7 L12mm	1	3-5
22	A2294000016	WASHER	OD19mm ID15.1mm H3mm	1	
23	A2300000598	BOLT	M6x1 OD15/17mm L55mm	1	8-10
24	A2221000040	BEARING	172607V-2RS OD26mm ID17mm W7mm	1	
25	A2221000043	BEARING	3802V-2RS OD24mm ID15mm W7mm	1	
26	A2300000609	SCREW	M10x1 L15mm	1	8-10
27	A2311000102	RD-HANGER	UDH	1	



ALUMINIUM FRAME SMALL PARTS

Can be purchased through your local
MERIDA dealer using the Item No.



No.	Item No.	Item	Detail information	Pieces	Torque Nm
1	A21610000211	CABLE GUIDE	for headtube	1	
2	A21610000227	MOUNT	for tube/accessoires	1	
3	A22980000004	SCREW	M5x0.8 L15mm	4	8-10
4	A21610000079	COVER	for service opening	1	
5	A23000000231	SCREW	M3x0.5 L8mm	1	
6	A2164000062	MOUNT	ISCG-05	1	
7	A22980000107	SCREW	M6x1 L12mm	1	6-8
8	A22920000008	WASHER	OD10mm ID6.2mm H3mm	2	
9	A22320000042	MOUNT	Mount for chain guide	1	
10	A22320000028	CHAIN GUIDE	for 28T-36T	1	
11	A23000000484	SCREW	M4x0.7 L10mm	1	1,5-2
12	A22920000106	WASHER	OD10mm ID6.2mm H0.5mm	2	
13	A22980000224	SCREW	M6x1 L16mm	2	6-8
14	A21160000239	PROTECTOR		1	
15	A23000000318	SCREW	M4x0.7 L12mm	3	3-5
16	A21360000076	MOUNT	PM200	1	
17	A22980000223	SCREW	M6x1 L12mm	3	6-8
18	A21580000078	PROTECTOR	for chain stay	1	
19	A22580000079	CABLE PLUG	for brake	1	
20	A21910000185	HEAD SET	MERIDA/VP-8158 (MH-P16/MH-P16)	1	
21	A23580000131	PROTECTOR	for down tube	1	
22	A23580000132	PROTECTOR	for down tube	1	
23	A23620000121	PROTECTOR	for seat stay	1	
24	A20020000135	THRU AXLE	EXPERT TR; L=178.5mm M12x1 TL=13.5mm	1	
25	A20290000034	TUBE	foam; ID5mm L600mm	2	
26	A20290000042	TUBE	foam; ID6mm L600mm	1	

